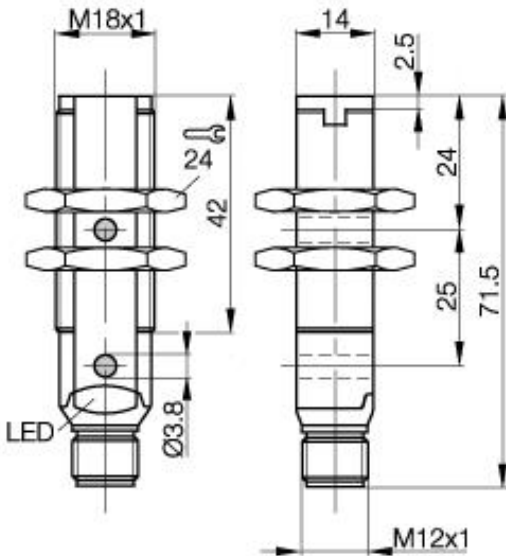


**Photoelectric Sensor
BLS 18KF-XX-1P-S4-L
Sn=20000mm
through-beam**



PX1751

Common Data

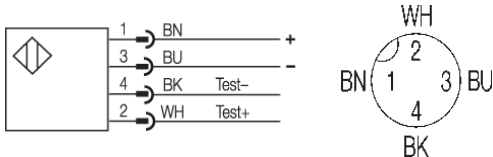
Series	18K
Sensortype	through-beam
Rated operating distance Sn in mm	20000
asured operating distance Sa	0...15000mm
Indication Supply Voltage	yes, green LED
Ambient temperature	-25...+55°C
On-delay	2ms
Off-delay	< 0,8ms
Light	LED Infrared
Wavelength / Laser protection class	Test input
Diameter of active zone	approx. 500mm at 15m

Mechanical Data

Measurements	M18x71,5
Shock	Halfsinus, 30gn, 11ms
Vibration	10...55Hz, 1,5mm Amplitude 3x2h
Housing material	PBT
Material of sensing face	PMMA
Degree of protection	IP67
Connection	Connector S4 (M12)
Weigth	25g
Recommended connector	BKS-S20-3

Electrical Data

Current	DC
Rated operational voltage Ue	24V DC
Supply Voltage	10...30V DC
Ripple	< 10% from UB
Frequency of Supply Voltage	DC
No-load supply current	<35mA
Short protection	yes
Protected against polarity reversal	yes



Utilization categories
Insulation class

DC 13

Datasheet number:

Definitions see general catalog.
If not otherwise noted, ratings according to
IEC 60947-5-2 (DIN EN60947-5-2)

Balluff GmbH
Schurwaldstrasse 9
73765 Neuhausen a.d.F.
Phone (07158) 173-0 Fax (07158) 5010

Datenblatt by CD-ROM - 04/2007

